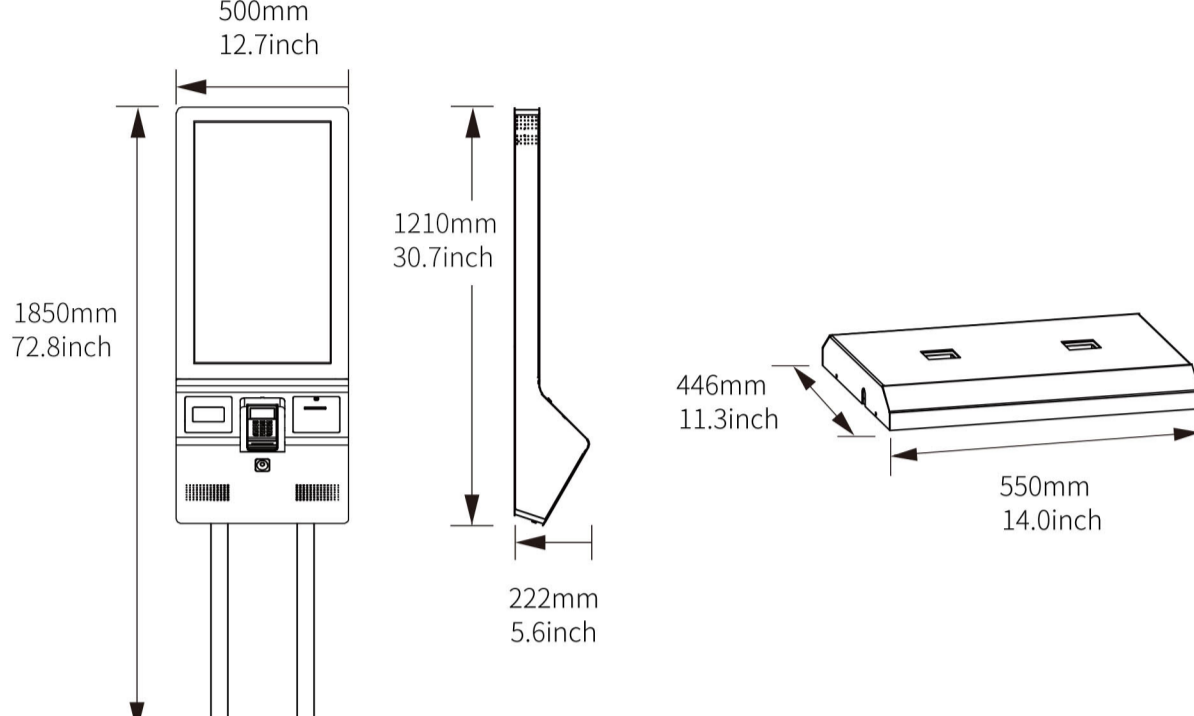


KSW-A132-S4

Interactive Self-service Kiosk

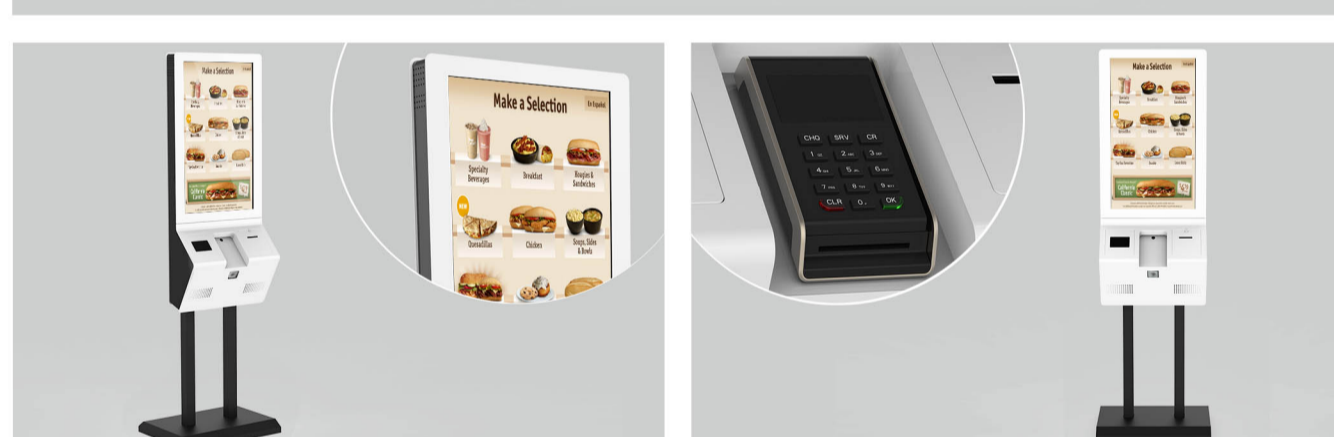


Product Parameters



OS Support	WIN7/10 (trial version)	Android 5.1
CPU	Intel J1800 dual-core 2.41G	RK3288 Cortex-A17 quad-core 1.8GHz
System Memory	2G/4G	2G/4G
Disk	64G/128G/256G(SSD)	8G/16G/32G/64G
Speaker	5W*2	5W*2
Interface	USB*3/RJ45*1	USB*2/RJ45*1
Network	Ethernet/WIFI	
Touch screen		
Type	Projective Capacitive Touch (10 points)	Response time
		10ms
LCD		
Type	TFT-LCD	Contrast Ratio
		1100:1
Screen size	32"	Response time
		10ms
Max Resolution	1920x1080	Viewing angle
		H178° V178°
Aspect Ratio	16:9	Display Colors
		16.7M
Brightness	400cd/m ²	Refresh Rate
		60Hz
Panel Life	30000 hours	
Built-in Devices		
Printer	58mm thermal printer with auto cutter	Scanner
		2D, Area-Imaging Scanner
Power		
Voltage	100-240VAC,50/60Hz	Power Consumption
		100W
Enclosure		
Material	SPCC	Surface
		Powder coating
Overall size	L480mm*W550mm*H1850mm(floor-standing); L510mm*W217mm*H1207mm(wall-mounting)	
Net weight	92kg/35kg	
Application		
Working temperature	0~40°C	Storage temperature
		-20~60°C
Working humidity	20%~80%	Storage humidity
		10%~90%
Application	indoor	

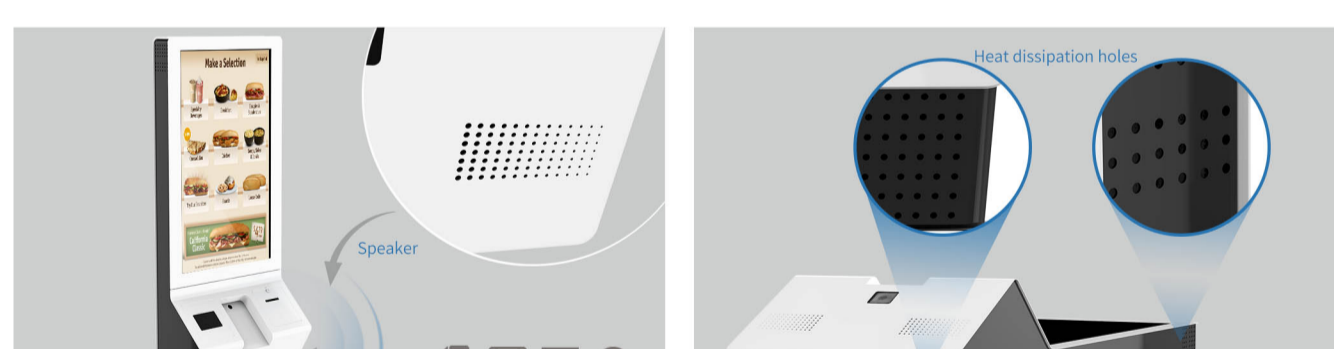
Product Features



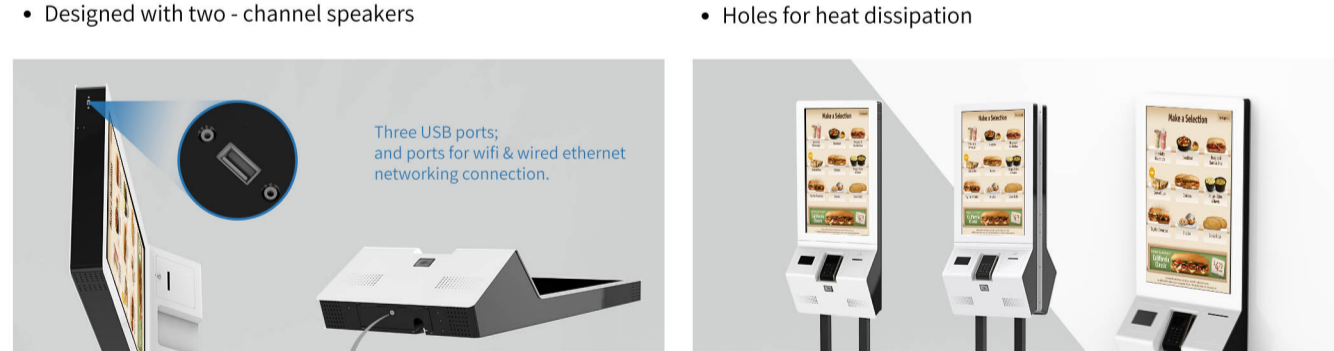
- Metal construction
- Providing with scanner & printer; designed with space for fixing card reader or other modules



- Scanner
- Printer



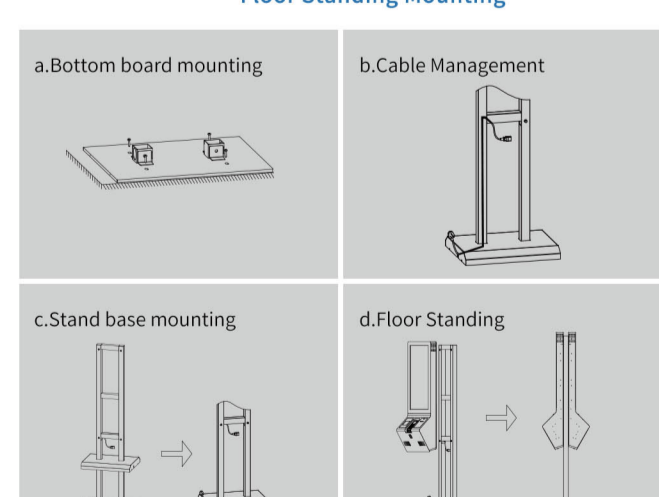
- Designed with two - channel speakers
- Holes for heat dissipation



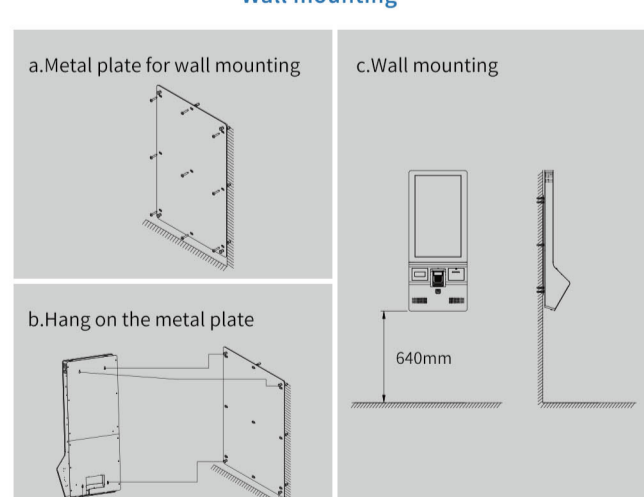
- For additional ports can be customized
- Three kinds of display ways for different applications

Mounting Options

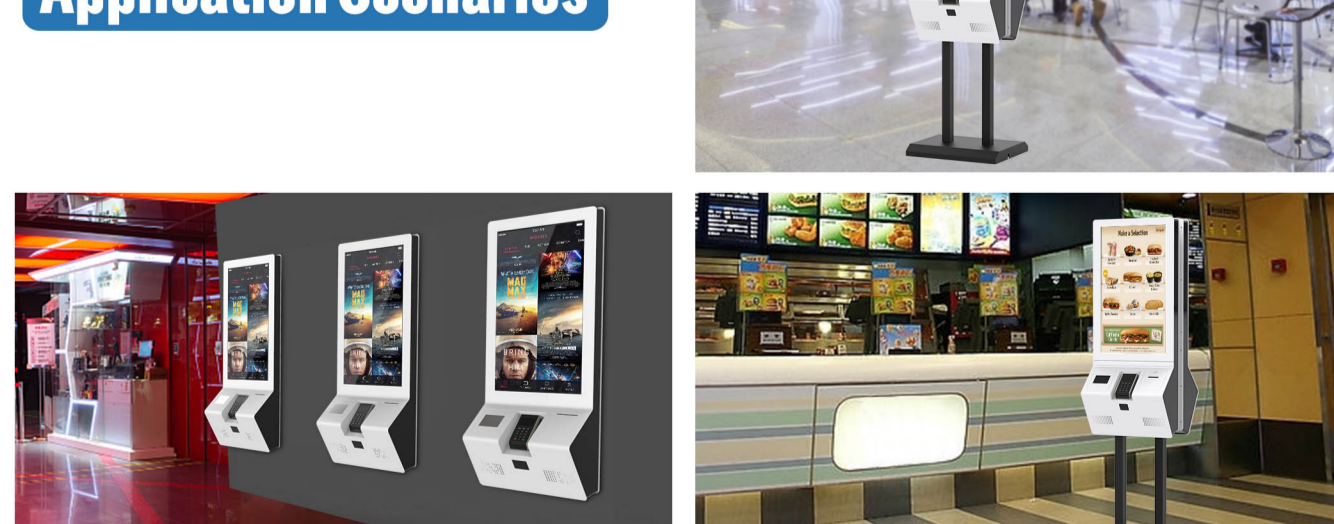
Floor Standing Mounting



Wall mounting



Application Scenarios



SurfsTek Innovation Sdn. Bhd. (1188201-U)

A Company of TechnoDex Berhad
 Level 3, Tower 1, Avenue 3, The Horizon, Bangsar South, No.8, Jalan
 Kerinchi 59200 Kuala Lumpur Malaysia.
 T : +603 22401000 F : +603 22411001 Website : www.posmac.my