

# Economical Medium Cash Drawer

INNOVATION QUALITY SERVICE

## ◀ EK Series PM-EK4102

Obviously lower priced, but having many features similar to the higher priced drawers, and still durable enough to meet frequent use demands. The perfect platform for most of the retail environments, also the ideal base for large size ECR.



Durable Metal Wire Gripper  
Tested over one million operations

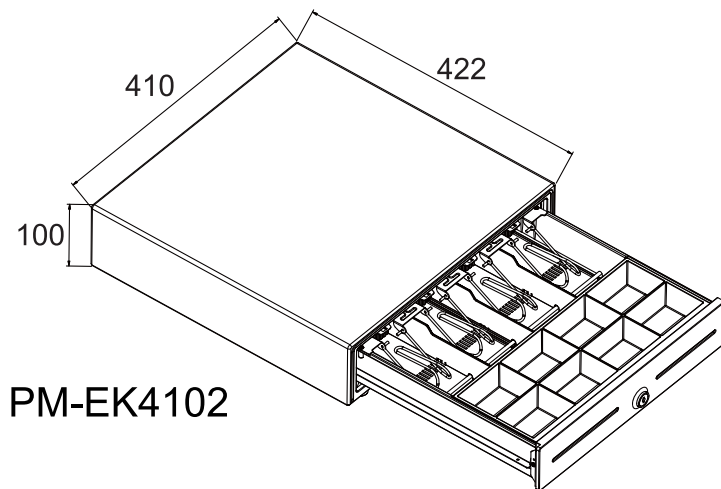
Removable coin tray

# PM-EK4102 Series Specifications

PM-EK4102	
<b>PHYSICAL</b>	
<b>Dimension</b>	410(W)x420(D)x100(H)mm
<b>Construction</b>	Thick gauge cold rolled steel & SECC
<b>Finish</b>	Textured hybrid powder coat
<b>Color</b>	Black, Beige and Custom type
<b>Roller</b>	Polyurethane for smooth operation
<b>CASH TRAY (INSERT)</b>	
<b>Construction</b>	Shatter-resistant plastic
<b>Currency Layout</b>	4,5,6,8-Bill with Metal Metal wire grips, 5,8 Removable Coin Slots
<b>Media Slots</b>	1
<b>OPERATION</b>	
<b>Drawer Lock</b>	3-Position lock / 4-Functions: locked open/closed, manual open, electronically driven
<b>Interface</b>	RJ11, RJ12, USB, RS232, DC $\Phi$ 2.5 /3.5 Jack, custom type
<b>Lifecycle</b>	MTBF 1,000,000 times +
<b>Micro Switch</b>	Cash Drawer Status Micro Switch

OPTION	ACCESSORIES	
Micro-switch	<b>Part Number</b>	<b>Description</b>
Cash tray with different currency layout	Bracket-4000	Under Mounting brackets
Different color	DT-100U	USB Trigger
Different interfaces	DT-100RS	Serial Interface Trigger

Packing Details			
Models	Net Weight(kg)	Gross Weight(kg)	Carton Size(cm)
PM-EK4102	6.2	7.0	47.0 x 48.0 x 16.0



## SurfTeK Innovation Sdn Bhd

97-2, Jalan Radin Bagus  
Bandar Baru Sri Petaling,  
57000 Kuala Lumpur  
Malaysia

Tel : +603-9058 2223  
Fax: +603-9059 5088

Specifications are subjected to change without notice.

